

ISSN: 0256-307X

中国物理快报

Chinese Physics Letters

Volume 29 Number 6 June 2012

A Series Journal of the Chinese Physical Society
Distributed by IOP Publishing

Online: <http://iopscience.iop.org/cpl>
<http://cpl.iphy.ac.cn>

CHINESE PHYSICAL SOCIETY
IOP Publishing

JUST FOR AUTHORS
— CHINESE PHYSICS LETTERS

Experimental Generation of Multimode Squeezing in an Optical Parametric Amplifier *

LIU Kui(刘奎), CUI Shu-Zhen(崔淑珍), YANG Rong-Guo(杨荣国),
ZHANG Jun-Xiang(张俊香), GAO Jiang-Rui(郜江瑞)**

State Key Laboratory of Quantum optics and Quantum Optics Devices, Institute of Opto-Electronics,
Shanxi University, Taiyuan 030006

(Received 1 April 2012)

We experimentally demonstrate that HG_{01} (Hermit–Gauss) and HG_{10} squeezed states can be generated simultaneously in an optical parametric amplifier. The HG_{01} mode is a bright squeezed state and the HG_{10} mode is a vacuum squeezed state. The squeezing of the HG_{01} mode is -2.8 dB, and the squeezing of the HG_{10} mode is -1.6 dB. We also demonstrate that the output field is also continuous-variable entanglement with orbital angular momentum.

PACS: 03.67.–a, 42.50.–p, 42.65.–k

DOI: 10.1088/0256-307X/29/6/060304

Squeezed and entangled optical fields are essential resources in continuous-variable (CV) quantum optics and quantum information.^[1] To date, the vast majority of continuous-variable research has focused on fields which exhibit nonclassical features of Gaussian modes. Spatial forms of entanglement have well been studied in the discrete variable (DV) regime,^[2–4] and a number of papers have been published on squeezing and entanglement of spatial multimode states in a continuous-variable field, which have previously been generated in atomic vapor,^[5] in an optical parametric oscillator,^[6,7] and in linear interference between different single modes,^[8–10] which is effectively generated by a degenerate optical parametric oscillator (DOPO). A type of squeezing and entanglement can be applied in quantum imaging and quantum metrology.^[11] Recently, Lassen *et al.*^[12] experimentally demonstrated generation of entanglement in the Stokes parameter of optical orbital angular momentum (OAM) modes using a type-I OPO. The same result was also independently demonstrated theoretically by Carlos *et al.*^[13]

In this Letter, we demonstrate experimentally an HG_{01} and an HG_{10} squeezed state simultaneously in one type-II optical parametric amplifier (OPA). We compensate the astigmatic effect of nonlinear crystal and make both HG_{10} and HG_{01} modes resonant simultaneously in the cavity. Both -2.8 dB bright squeezing of the HG_{01} mode state and -1.6 dB vacuum squeezing of the HG_{10} mode are obtained. We also demonstrate that the output field is continuous-variable orbital angular momentum entanglement. It can be widely applied in the field of quantum information and connected with atoms for storage of continuous-variable information.^[14,15]

In general, the spatial modes of a laser include two types: Hermit–Gauss (HG) modes and Laguerre–Gauss (LG) modes. LG modes are denoted as $LG_p^{\pm l}$,

where l and p are azimuthal and radial mode indices, and the LG_p^l and LG_p^{-l} have left-handed and right handed corkscrew-like phase fronts, respectively. HG modes are denoted as HG_{mn} , where m and n are horizontal and vertical mode indices. The HG and LG modes can be transformed into each other. For example, as shown in Fig. 1, the transformation relationship^[13] between the first-order LG modes (LG_0^1 , LG_0^{-1}) and the first-order HG modes (HG_{01} , HG_{10}) is

$$\begin{aligned}\hat{a}_{HG_{01}} &= \frac{1}{\sqrt{2}}(\hat{a}_{LG_0^1} + \hat{a}_{LG_0^{-1}}), \\ i\hat{a}_{HG_{10}} &= \frac{1}{\sqrt{2}}(\hat{a}_{LG_0^1} - \hat{a}_{LG_0^{-1}}).\end{aligned}\quad (1)$$

For the OPA process with the first-order spatial modes,^[12,13] from a quantum mechanical point of view, once a pump photon with the Gaussian mode is annihilated (created) in the process, due to conservation of energy and orbital angular momentum, a pair of down-converted photons can be created (annihilated): one photon is emitted in the LG_0^1 mode and the other photon is emitted in the LG_0^{-1} mode. Then, the OPA can produce co-propagating LG modes entanglement. Due to the transformation relationship between LG and HG modes, the LG_0^1 and LG_0^{-1} modes overlap in space and appear in the form of HG modes, which are squeezed states.

The experimental setup is shown in Fig. 2. The two cavities (MC1, MC3) are mode-cleaners and used to suppress infrared and green light noise,^[16] respectively, while the third one (MC2) acts as a mode converter to transform an HG_{00} mode into an HG_{01} mode. The 1080 nm HG_{01} beam is injected into the OPO cavity as the seed. The green light, the OPA pump, is the Gaussian mode beam. The OPA cavity is composed of

*Supported by the National Natural Science Foundation of China under Grant Nos 60978008 and 61008006, the National Basic Research Program of China (2010CB923102), and the Specialized Research Fund for the Doctoral Program of China (200801080004).

**Correspondence author. Email: jrgao@sxu.edu.cn

© 2012 Chinese Physical Society and IOP Publishing Ltd

two curved mirrors with 30 mm curvature radii. The input coupler (M1) is highly reflective at both 540 nm and 1080 nm, while the output coupler (M2) is antireflective at 540 nm and has transmittance of $T=6.38\%$ at 1080 nm.

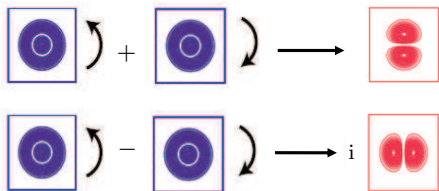


Fig. 1. The relationship between HG modes and LG modes. These modes are LG_0^1, LG_0^{-1} and $HG_{01}(HG_{10})$ from left to right.

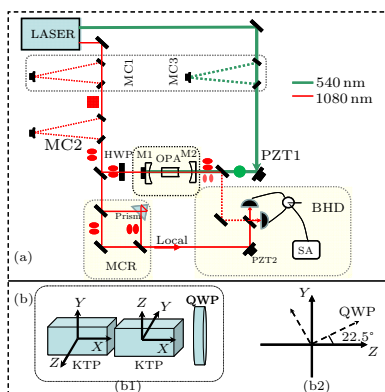


Fig. 2. (Color online) Experimental setup: (a) generation and measurement of HG-mode squeezed states with a mode cleaner (MC), a half-wave plate (HWP), a piezoelectric element for controlling phases (PZT), a mode converter for generating local light of the HG_{10} mode (MCR), a spectrum analyzer (SA), balance homodyne detectors (BHD). (b) Placement of KTP crystals in the OPA. X, Y and Z are the axes of the KTP crystal; QWP: quarter-wave plate. There is an angle of 22.5° between the crystal axes (Y, Z), solid lines and the quarter-wave plate axes (dashed lines).

In the general OPA cavity, the astigmatic effect ($\sigma_j \neq 0$) is inevitable because of the birefringence in nonlinear crystal. Therefore, the Gouy phase effects of the HG components (HG_{01} and HG_{10}) are different.^[17] In general, HG_{01} and HG_{10} modes cannot resonate simultaneously in the cavity. In order to make the HG_{01} and HG_{10} modes degenerate, as shown in Fig. 2(b), we use a pair of α -cut type-II KTP crystals ($3 \times 3 \times 10$ mm) with their neutral axes perpendicular to each other, moreover, we insert a quarter-wave plate whose neutral axes rotate 22.5° in comparison to the crystal. The crystal and the wave plate are coated with antireflective coating at both 540 nm and 1080 nm. The temperature of the two crystals is independently controlled. When selecting proper temperatures, the optical length of the two crystals is equal and then the HG_{01} and HG_{10} modes can degenerate and resonate simultaneously.

At the pump power of 700 mW (below the threshold), the classical gains of HG_{01} and HG_{10} modes are

4 and 3, respectively. When the OPA is operated at de-amplification, we can simultaneously obtain two squeezed states, the HG_{01} squeezed state is bright due to a bright input and the HG_{10} squeezed state is dark.

In the present experiment, although we have not separated the HG_{01} and HG_{10} modes into two beams, we can measure the HG mode by selecting local light, because HG_{01} and HG_{10} modes are orthogonal to each other. The local oscillator's mode is either the HG_{01} mode or the HG_{10} mode, depending on which mode is measured in the balanced homodyne detection scheme. The HG_{01} local mode is produced by using a mode converter cavity, MC2, and the HG_{10} local mode is generated by converting the HG_{01} mode using a prism (MCR).

The results of measurement are shown in Fig. 3 at the analysis frequency of 6 MHz and the measurement parameters of the spectrum analyzer (SA) with resolution bandwidth (RBW) of 1 MHz and video bandwidth (VBW) of 300 Hz. We first calibrated the shot noise limit (SNL) (blue dashed line), and next we measured the noise traces for the HG_{01} mode and the HG_{10} mode while the phases (PZT2) of the local beams were scanned. After fitting the measured data, we can find that the HG_{01} mode has amplitude squeezing of -2.8 dB (Fig. 3(a)) and the HG_{10} mode's amplitude squeezing is about -1.6 dB (Fig. 3(b)).

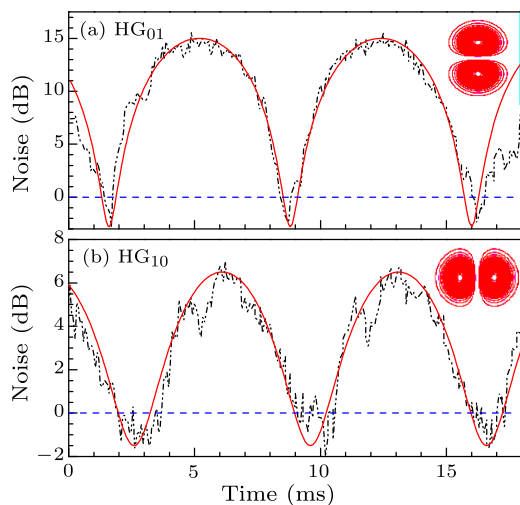


Fig. 3. (Color online) The experimental results of HG mode squeezing: (a) HG_{01} and (b) HG_{10} . The blue dashed line: shot noise limit (SNL). The red solid line: the HG mode noise.

The two output field modes HG_{01} and HG_{10} here are a pair of coupling models by two orthogonal LG_0^1 and LG_0^{-1} modes in fact. From Eq. (1), it is easy to show

$$\begin{aligned} \hat{X}_{HG01} &= \frac{1}{\sqrt{2}}(\hat{X}_{LG_0^{-1}} + \hat{X}_{LG_0^1}), \\ \hat{X}_{HG10} &= \frac{1}{\sqrt{2}}(\hat{P}_{LG_0^{-1}} - \hat{P}_{LG_0^1}), \end{aligned} \quad (2)$$

where \hat{X} and \hat{P} are amplitude and phase quadrature.

From the measurement results shown in Fig. 3, we can infer that the correlation noise spectra satisfy the entanglement criterion of Duan *et al.*^[18] and Simon.^[19]

$$\langle \Delta^2(\hat{X}_{\text{LG}_0^{-1}} + \hat{X}_{\text{LG}_0^1}) \rangle + \langle \Delta^2(\hat{P}_{\text{LG}_0^{-1}} - \hat{P}_{\text{LG}_0^1}) \rangle = 1.2 < 2. \quad (3)$$

Thus we prove that we have generated entanglement between two co-propagating LG modes. Although we have not separated them into two independent spatial beams, it is possible.^[20] We will separate them into two independent LG₀¹ and LG₀⁻¹ entangled beams using an asymmetric Mach-Zehnder interferometer in our next work. Because the LG mode is also called the orbital angular momentum (OAM) mode, we experimentally generate continuous-variable OAM entanglement.

The measured values are degraded by various inefficiencies in our setup. We estimate this efficiency to be $\eta_{\text{tol}} = \eta_{\text{pop}}\eta_{\text{det}}\eta_{\text{hd}}$, where $\eta_{\text{pop}} = 0.89$ is the measured propagation efficiency, $\eta_{\text{det}} = 0.90$ is the measured photodiode (Epitaxx ETX500) efficiency, $\eta_{\text{hd}} = 0.88$ is the measured spatial overlap efficiency in the homodyne detector for HG₀₁ and HG₁₀ modes, respectively, the total estimated detection efficiency for our experiment is therefore $\eta_{\text{tol}} = 0.70$. From these efficiencies, we can obtain the inferred squeezing are -4.9 dB and -2.5 dB for the HG₀₁ and HG₁₀ modes, respectively, and the inferred entanglement criterion of the LG modes are

$$\langle \Delta^2(\hat{X}_{\text{LG}_0^{-1}} + \hat{X}_{\text{LG}_0^1}) \rangle + \langle \Delta^2(\hat{P}_{\text{LG}_0^{-1}} - \hat{P}_{\text{LG}_0^1}) \rangle = 0.88. \quad (4)$$

In summary, we have experimentally demonstrated squeezing of the HG₀₁ and HG₁₀ modes generated simultaneously in one OPA. The HG₀₁ squeezed state is a bright field, and the HG₁₀ squeezed state is a vacuum field. Considering experimental measurement efficiency, we infer that HG₀₁ amplitude squeezing is -4.9 dB and HG₁₀ amplitude squeezing is -2.5 dB.

We also demonstrate that the output field is also continuous-variable orbital angular momentum entanglement. It is important for quantum information.

References

- [1] Cerf N J and Leuchs G 2007 *Quantum Information with Continuous Variables of Atoms and Light* (London: Imperial College Press)
- [2] Mair, Vaziri A, Weihs G and Zeilinger A 2001 *Nature* **412** 313
- [3] Arnaut H H and Barbosa G A 2000 *Phys. Rev. Lett.* **85** 286
- [4] Lugiato L A, Gatti A and Brambilla E 2002 *J. Opt. B: Quantum Semiclass. Opt.* **4** S176
- [5] Boyer V, Marino A M, Pooser R C and Lett P D 2008 *Science* **321** 544
- [6] Martinelli M, Treps N, Ducci S, Gigan S, Maître A and Fabre C 2003 *Phys. Rev. A* **67** 023808
- [7] Yang R G, Sun H X, Zhang J X and Gao J R 2011 *Chin. Phys. B* **20** 060305
- [8] Treps N, Andersen U, Buchler B, Lam P K, A Maître, Bachor H A and Fabre C 2002 *Phys. Rev. Lett.* **88** 203601
- [9] Lassen M, Delaubert V, J Janousek, Wagner K, Bachor H A, Lam P K, Treps N, Buchhave P, Fabre C and Harb C C 2007 *Phys. Rev. Lett.* **98** 083602
- [10] Wagner K, Janousek J, Delaubert V, Zou H, Harbs C, Treps N, Morizur J F, Lam P K and Bachor H A 2008 *Science* **321** 541
- [11] Boyer V, Marino A M, Pooser R C and Lett P D 2008 *Science* **321** 544
- [12] Lassen M, Leuchs G and Andersen U L 2009 *Phys. Rev. Lett* **102** 163602
- [13] Navarrete-Benlloch C, de Valcárcel G J and Roldá E 2009 *Phys. Rev. A* **79** 043820
- [14] Inoue R, Kanai N, Yonehara T, Miyamoto Y, Koashi M and Kosuma M 2006 *Phys. Rev. A* **74** 053809
- [15] Vasilyev D V, Sokolov I V and Polzik E S 2008 *Phys. Rev. A* **77** 020302
- [16] Liu K, Cui S Z, Zhang H L, Zhang J X and Gao J R 2011 *Chin. Phys. Lett.* **28** 074211
- [17] Martinelli M, Huguenin J A O, Nussenzveig P and Khoury A Z 2004 *Phys. Rev. A* **70** 013812
- [18] Duan L M, Giedke G, Cirac J I and Zoller P 2000 *Phys. Rev. Lett.* **84** 2722
- [19] Simon R 2000 *Phys. Rev. Lett.* **84** 2726
- [20] Delaubert V, Treps N, Harb C C, Lam P K and Bachor H A 2006 *Opt. Lett.* **31** 1537

Chinese Physics Letters

Volume 29

Number 6

June 2012

GENERAL

- 060201 Exact Solutions of Nonlinear Evolution Equations in Mathematical Physics Using the Modified Simple Equation Method**
E. M. E. Zayed, S. A. Hoda Ibrahim
- 060202 The Reduction of Chazy Classes and Other Third-Order Differential Equations Related to Boundary Layer Flow Models**
K. Fakhar, A. H. Kara
- 060203 Exact Solutions to a Toda-Like Lattice Equation in 2+1 Dimensions**
WU Yong-Qi
- 060204 Weak Signal Frequency Detection Based on a Fractional-Order Bistable System**
HE Gui-Tian, LUO Mao-Kang
- 060301 Quantum Cyclotron Orbits of a Neutral Atom Trapped in a Triple Well with a Synthetic Gauge Field**
WANG Qiang, YE Chong, FU Li-Bin
- 060302 Macroscopic Quantum States and Quantum Phase Transition in the Dicke Model**
LIAN Jin-Ling, ZHANG Yuan-Wei, LIANG Jiu-Qing
- 060303 Quantum Teleportation between Two Distant Bose–Einstein Condensates**
GUO Yu, LUO Xiao-Bing
- 060304 Experimental Generation of Multimode Squeezing in an Optical Parametric Amplifier**
LIU Kui, CUI Shu-Zhen, YANG Rong-Guo, ZHANG Jun-Xiang, GAO Jiang-Rui
- 060305 Quantum Discord and Entanglement in Heisenberg XXZ Spin Chain after Quenches**
REN Jie, WU Yin-Zhong, ZHU Shi-Qun
- 060306 Energy Spectra of the Coulomb Perturbed Potential in N -Dimensional Hilbert Space**
Ramesh Kumar, Fakir Chand
- 060307 Solutions to the Klein–Gordon Equation with Equal Scalar and Vector Modified Hylleraas Plus Exponential Rosen Morse Potentials**
Akpan N. Ikot
- 060401 Influence of the Earth’s Rotation on Measurement of Newton’s Constant by using the Angular Acceleration Method**
LUO Jie, SHAO Cheng-Gang, WANG Dian-Hong, TIAN Yuan
- 060501 Bifurcation and Stability Analysis of the Hamiltonian–Casimir Model of Liquid Sloshing**
Salman Ahmad, YUE Bao-Zeng
- 060502 Modified Homotopy Perturbation Method for Certain Strongly Nonlinear Oscillators**
NIU Yao-Bin, WANG Zhong-Wei, DONG Si-Wei
- 060503 Role of the Bath Spectrum in the Specific Heat Anomalies of a Damped Oscillator**
BAI Zhan-Wu
- 060504 Study on Congestion and Bursting in Small-World Networks with Time Delay from the Viewpoint of Nonlinear Dynamics**
LIU Yan, LIU Li-Guang, WANG Hang
- 060505 Variational Approach for Fractional Diffusion-Wave Equations on Cantor Sets**
WU Guo-Cheng, WU Kai-Teng
- 060506 Dynamics in the Parameter Space of a Neuron Model**
Paulo C. Rech
- 060507 Amplitude Oscillations of the Resonant Phenomena in a Frenkel–Kontorova Model with an Incommensurate Structure**
YAN Yan-Zong, WANG Cang-Long, SHAO Zhi-Gang, YANG Lei
- 060508 New Wronskian Form of the N -Soliton Solution to a $(2+1)$ -Dimensional Breaking Soliton Equation**
CUI Kai

- 060509 Non-Rational Rogue Waves Induced by Inhomogeneity**
HE Jing-Song, WANG You-Ying, LI Lin-Jing
- 060701 Influence of Passivation Layers for Metal Grating-Based Quantum Well Infrared Photodetectors**
LIU Dong, FU Yong-Qi, YANG Le-Chen, ZHANG Bao-Shun, LI Hai-Jun, FU Kai, XIONG Min
- 060702 Fatigue-Induced Micro-damage Characterization of Austenitic Stainless Steel 316 Using Innovative Nonlinear Acoustics**
Chung-Seok KIM, Kyung-Young JHANG

THE PHYSICS OF ELEMENTARY PARTICLES AND FIELDS

- 061201 An Improved Quasi-particle Model Framework for Quark-Gluon Plasma from the Path Integral Formalism**
CAO Jing, ZHAO A-Meng, SUN Wei-Min, ZONG Hong-Shi

NUCLEAR PHYSICS

- 062101 The Symmetry Energy from the Neutron-Rich Nucleus Produced in the Intermediate-Energy $^{40,48}\text{Ca}$ and $^{58,64}\text{Ni}$ Projectile Fragmentation**
MA Chun-Wang, PU Jie, WANG Shan-Shan, WEI Hui-Ling
- 062102 High Spin States of ^{113}In**
MA Ke-Yan, LU Jing-Bin, YANG Dong, LI Jian, WANG Hui-Dong, LIU Yun-Zuo, WU Xiao-Guang, ZHU Li-Hua, ZHENG Yun, HE Chuang-Ye
- 062103 High-Spin Structure in Odd-Odd ^{160}Lu Nucleus**
WANG Lie-Lin, LU Jing-Bin, YANG Dong, MA Ke-Yan, ZHOU Yin-Hang, YIN Li-Chang, WU Xiao-Guang, WEN Shu-Xian, LI Guang-Sheng, YANG Chun-Xiang
- 062104 Symmetry Potential and Effective Mass with Consistent Three-Body Force**
LI Zeng-Hua, ZUO Wei
- 062901 Radio-Frequency Power Test of a Four-Rod RFQ Accelerator for PKUNIFY**
ZENG Hong-Jin, LIU Ge, LU Yuan-Rong, CHEN Wei, ZHOU Quan-Feng, ZHU Kun, XIA Wen-Long, SHI Ben-Liang, GAO Shu-Li, YAN Xue-Qing, GUO Zhi-Yu, CHEN Jia-Er

ATOMIC AND MOLECULAR PHYSICS

- 063101 Relativistic Quadrupole Polarizability for the Ground State of Hydrogen-Like Ions**
ZHANG Yong-Hui, TANG Li-Yan, ZHANG Xian-Zhou, SHI Ting-Yun, Jim Mitroy
- 063201 Shake-up Processes in the $3d$ Photoionization of Sr I and the Subsequent Auger Decay**
DING Xiao-Bin, DONG Chen-Zhong, Gerard O'Sullivan
- 063301 Chaotic Dynamics of Triatomic Normal Mode Molecules**
ZHAI Liang-Jun, ZHENG Yu-Jun, DING Shi-Liang
- 063401 The Rate Constant Calculations for the Reaction $\text{H}(^2\text{S})+\text{NH}(X^3\Sigma^-)$ to $\text{N}(^4\text{S})+\text{H}_2$ by using Quantum Mechanics Method**
ZHAI Hong-Sheng, ZHOU Pan-Wang

FUNDAMENTAL AREAS OF PHENOMENOLOGY(INCLUDING APPLICATIONS)

- 064101 Electrostatic Levitation of Plant Seeds and Flower Buds**
HU Liang, WANG Hai-Peng, LI Liu-Hui, WEI Bing-Bo
- 064201 All-Fiber Gain-Switched Thulium-Doped Fiber Laser Pumped by 1.558 μm Laser**
ZHOU Ren-Lai, ZHAO Jie, YUANG-Chi, CHEN Zhao-Yu, JU You-Lun, WANG Yue-Zhu
- 064202 High-Stability Superfluorescent Fiber Source Based on an Er^{3+} -Doped Photonic Crystal Fiber**
LIU Cheng-Xiang, ZHANG Li, WU Xu, RUAN Shuang-Chen
- 064203 Generation of Ultraviolet Radiation at 266 nm with $\text{RbBe}_2\text{BO}_3\text{F}_2$ Crystal**
WANG Li-Rong, WANG Gui-Ling, ZHANG Xin, LIU Li-Juan, WANG Xiao-Yang, ZHU Yong, CHEN Chuang-Tian

- 064204 Characteristic Optimization of 1.3 μm High-Speed MQW InGaAsP-AlGaInAs Lasers**
MAO Yi-Wei, WANG Yao, CHEN Yang-Hua, XUE Zheng-Qun, LIN Qi, DUAN Yan-Min, SU Hui
- 064205 Optical Torque Exerted on a Rotator under Illumination of a Vortex Beam**
LI Dong-Hua, PU Ji-Xiong, WANG Xi-Qing
- 064206 A Polarization-Adjustable Picosecond Deep-Ultraviolet Laser for Spin- and Angle-Resolved Photoemission Spectroscopy**
ZHANG Feng-Feng, YANG Feng, ZHANG Shen-Jin, WANG Zhi-Min, XU Feng-Liang, PENG Qin-Jun, ZHANG Jing-Yuan, WANG Xiao-Yang, CHEN Chuang-Tian, XU Zu-Yan
- 064207 A Tunable Ultrafast Source by Sum-Frequency Generation between Two Actively Synchronized Ultrafast Lasers**
XUAN Hong-Wen, WANG Nan, ZHANG Yong-Dong, WANG Zhao-Hua, WEI Zhi-Yi
- 064208 Beam Splitting in Induced Inhomogeneous Media**
WANG Chun-Fang, BAI Yan-Feng, GUO Hong-Ju, CHENG Jing
- 064209 Experimental Study of Tunneling modes in Photonic Crystal Heterostructure Consisting of Single-Negative Materials**
ZHANG Li-Wei, ZHANG Ye-Wen, HE Li, WANG You-Zhen
- 064210 Optical 90° Hybrid Based on an InP 4×4 Multimode Interference Coupler for Coherent Receiver Application**
LIU Wei-Hua, ZHAO Yan-Li, XU Cheng-Zhi, ZHAO Jian-Yi, LIU Wen, XU Yuan-Zhong
- 064211 Self-Trapping of Three-Dimensional Spatiotemporal Solitary Waves in Self-Focusing Kerr Media**
YANG Zheng-Ping, ZHONG Wei-Ping
- 064212 The Laser Action of a Yb:CLNGG Crystal with an Efficiency Approaching Its Quantum Defect Imposed Limit**
ZHOU Zhi-Chao, TIAN Xue-Ping, DAI Qi-Biao, HAN Wen-Juan, HUANG Jia-Yin, LIU Jun-Hai, ZHANG Huai-Jin
- 064213 Self-Detection of Leaking Pipes by One-Dimensional Photonic Crystals**
ZHOU Yan, YIN Li-Qun
- 064214 A Surface Plasmon Polariton Electro-Optic Switch Based on a Metal-Insulator-Metal Structure with a Strip Waveguide and Two Side-Coupled Cavities**
ZHU Yun-Jin, HUANG Xu-Guang, MEI Xian
- 064301 Flow-Noise Calculation Using the Mutual Coupling Between Vulcanized Rubber and the Flow Around in Water**
LI Xue-Gang, YANG Kun-De, MA Yuan-Liang
- 064302 Broadband Attenuation in Phononic Beams Induced by Periodic Arrays of Feedback Shunted Piezoelectric Patches**
WANG Jian-Wei, WANG Gang, CHEN Sheng-Bing, WEN Ji-Hong
- 064701 Energy Measurement of Bubble Bursting Based on Vibration Signals**
LIU Xiao-Bo, ZHANG Jian-Run, LI Pu, LE Van-Quynh
- 064702 A New Method of Simulating Fiber Suspensions and Applications to Channel Flows**
YANG Wei, ZHOU Kun
- 064703 A Computational Study of Cavitation Model Validity Using a New Quantitative Criterion**
Hagar Alm El-Din, ZHANG Yu-Sheng, Medhat Elkelayw
- 064704 Large-Eddy Simulation of Underexpanded Supersonic Swirling Jets**
WANG Guo-Lei, LU Xi-Yun
- 064705 Reducing Spurious Velocities at the Interfaces of Two-Phase Flows for Lattice Boltzmann Simulations**
WEI Yi-Kun, QIAN Yue-Hong
- 064706 Fractal Analysis of Robertson-Stiff Fluid Flow in Porous Media**
YUN Mei-Juan, ZHENG Wei

JUST FOR AUTHORS
— CHINESE PHYSICS LETTERS

PHYSICS OF GASES, PLASMAS, AND ELECTRIC DISCHARGES

- 065201 **Electrostatic Dust Acoustic Solitons in Pair-Ion-Electron Plasmas**
Hafeez Ur Rehman
- 065202 **The Effect of Spectral Index Parameter κ on Obliquely Propagating Solitary Wave Structures in Magneto-Rotating Plasmas**
S. Hussain

CONDENSED MATTER: STRUCTURE, MECHANICAL AND THERMAL PROPERTIES

- 066101 **Self Ordering of Nematic Liquid Crystal Molecules in HPDLC Bragg Gratings**
CHENG Wen-Kai, GAO Bin, PU Hai-Hui, LIU Jian-Hua
- 066102 **Laser-Induced Distortions and Disturbance Propagation of Delocalized Electronic States in Monatomic Carbon Chains**
YANG Gong-Xian, GONG Xiu-Fang
- 066201 **Cross-over of the Plasticity Mechanism in Nanocrystalline Cu**
YUE Yong-Hai, WANG Li-Hua, ZHANG Ze, HAN Xiao-Dong
- 066202 **Theoretical Study of the Structural and Thermodynamic Properties of Amorphous SiO₂ and Amorphous SiO₂ with an Oxygen Defect Center**
SU Wei, LOU Shu-Qin, YIN Guo-Lu
- 066301 **Nano-Metal Film Thermal Conductivity Measurement by using the Femtosecond Laser Pump and Probe Method**
ZHU Li-Dan, SUN Fang-Yuan, ZHU Jie, TANG Da-Wei, LI Yu-Hua, GUO Chao-Hong
- 066801 **The Structural Modification of LiTaO₃ Crystal Induced by 100-keV H-ion Implantation**
PANG Li-Long, WANG Zhi-Guang, YAO Cun-Feng, ZANG Hang, LI Yuan-Fei, SUN Jian-Rong, SHEN Tie-Long, WEI Kong-Fang, ZHU Ya-Bin, SHENG Yan-Bin, CUI Ming-Huan, JIN Yun-Fan
- 066802 **Modulation of Step Heights of Thin Pb Films by the Quantum Size Effect Observed by Non-Contact Atomic Force Microscopy**
MAO Han-Qing, LI Na, CHEN Xi, XUE Qi-Kun

CONDENSED MATTER: ELECTRONIC STRUCTURE, ELECTRICAL, MAGNETIC, AND OPTICAL PROPERTIES

- 067101 **Coupled Optical Tamm States in a Planar Dielectric Mirror Structure Containing a Thin Metal Film**
ZHOU Hai-Chun, YANG Guang, WANG Kai, LONG Hua, LU Pei-Xiang
- 067301 **Numerical Analysis of Efficiency Enhancement in Plasmonic Thin-Film Solar Cells by Using the SILVACO TCAD Simulator**
KIM Un-Chol, JIANG Xiao-Qing
- 067302 **Impact of Interfacial Trap Density of States on the Stability of Amorphous InGaZnO-Based Thin-Film Transistors**
HUANG Xiao-Ming, WU Chen-Fei, LU Hai, XU Qing-Yu, ZHANG Rong, ZHENG You-Dou
- 067401 **Effect of Cleaving Temperature on the Surface and Bulk Fermi Surface of Sr₂RuO₄ Investigated by High Resolution Angle-Resolved Photoemission**
LIU Shan-Yu, ZHANG Wen-Tao, WENG Hong-Ming, ZHAO Lin, LIU Hai-Yun, JIA Xiao-Wen, LIU Guo-Dong, DONG Xiao-Li, ZHANG Jun, MAO Zhi-Qiang, CHEN Chuang-Tian, XU Zu-Yan, DAI Xi, FANG Zhong, ZHOU Xing-Jiang
- 067402 **NMR Study of Superconductivity and Spin Fluctuations in Hole-Doped Superconductor Ca_{1-x}Na_xFe₂As₂ ($T_c = 32$ K)**
MA Long, ZHANG Jin-Shan, WANG Du-Ming, HE Jun-Bao, XIA Tian-Long, CHEN Gen-Fu, YU Wei-Qiang
- 067501 **Effect of Carrier Differences on Magnetoresistance in Organic and Inorganic Spin Valves**
YUAN Xiao-Bo, REN Jun-Feng, HU Gui-Chao
- 067502 **Terahertz Emission of Ferromagnetic Ni-Fe Thin Films Excited by Ultrafast Laser Pulses**
SHEN Jian, ZHANG Huai-Wu, LI Yuan-Xun

067701 Electric and Magnetic Properties of the $(1 - x)\text{Ba}_{0.6}\text{Sr}_{0.4}\text{TiO}_3 - x\text{CoFe}_2\text{O}_4$ Multiferroic Composite Ceramics

WANG Ye-An, WANG Yun-Bo, RAO Wei, GAO Jun-Xiong, ZHOU Wen-Li, YU Jun

067801 The Influences of Temperature, Concentration and Pressure Uncertainties on the Measurement Results of Wavelength Modulation Spectroscopy

CHE Lu, DING Yan-Jun, PENG Zhi-Min

CROSS-DISCIPLINARY PHYSICS AND RELATED AREAS OF SCIENCE AND TECHNOLOGY

068101 Green Emission from a Strain-Modulated InGaN Active Layer

WANG Guo-Biao, XIONG Huan, LIN You-Xi, FANG Zhi-Lai, KANG Jun-Yong, DUAN Yu, SHEN Wen-Zhong

068501 All-Optical Cesium Atomic Magnetometer with High Sensitivity

ZHANG Jun-Hai, LIU Qiang, ZENG Xian-Jin, LI Jiu-Xing, SUN Wei-Min

068502 Noise Suppression Effect of Composites Containing Glass-Covered Amorphous CoFeSiBCr Wires

ZHANG Jun-Feng, LI De-Ren, CHEN Zheng, LU Zhi-Chao, ZHOU Shao-Xiong

068701 Interaction between a Functionalized Single-Walled Carbon Nanotube and the YAP65WW Protein Domain: a Molecular Dynamics Simulation Study

DOU Quan-Tao, ZUO Guang-Hong, FANG Hai-Ping

068702 Calculation of Collective Variable-based PMF by Combining WHAM with Umbrella Sampling

XU Wei-Xin, LI Yang, ZHANG John Z. H.

068801 High Concentration InGaN/GaN Multi-Quantum Well Solar Cells with a Peak Open-Circuit Voltage of 2.45 V

ZHANG Dong-Yan, ZHENG Xin-He, LI Xue-Fei, WU Yuan-Yuan, WANG Jian-Feng, YANG Hui

068901 Empirical Evidence for the Look-Ahead Behavior of Pedestrians in Bi-directional Flows

GUO Ren-Yong, WONG S. C., XIA Yin-Hua, HUANG Hai-Jun, LAM William H. K., CHOI Keechoo

GEOPHYSICS, ASTRONOMY, AND ASTROPHYSICS

069701 Effects of the Recombination of Nucleons into α -Particles on the R-process in Proto-magnetar Wind

CHEN Yan-Jun, YUAN Ye-Fei

JUST FOR AUTHORS
— CHINESE PHYSICS LETTERS